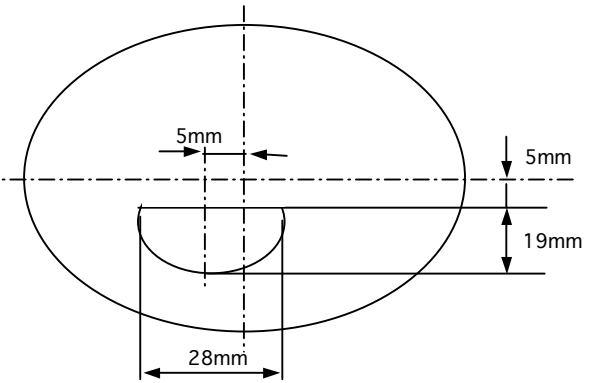


TECHNICAL CHART
POLYCARBONATE SPHERICAL FLAT-TOP 28 SEMI H/C



70mm Diameter Lens Blank

NOMINAL BASE	TURE CURVE (Nd = 1.530)		RADIUS FRONT	SAG AT 50 (50mm)		THICKNESS (mm)		ADDS IN 0.25 STEPS	RX Range Diopter
	FRONT	BACK		FRONT	BACK	CENTER	EDGE		
2.00	2.00	5.65	265.000	1.18	3.39	7.5	12.0	1.00 to 3.00	-7.00 ~ -4.75
4.00	3.84	5.65	137.880	2.28	3.39	7.7	10.0	1.00 to 3.00	-4.50 ~ -1.75
6.00	5.65	5.65	93.760	3.39	3.39	8.0	8.0	1.00 to 3.00	-1.50 ~ +2.25
8.00	7.82	5.65	67.760	4.78	3.39	10.5	7.5	1.00 to 3.00	+2.50 ~ +5.00